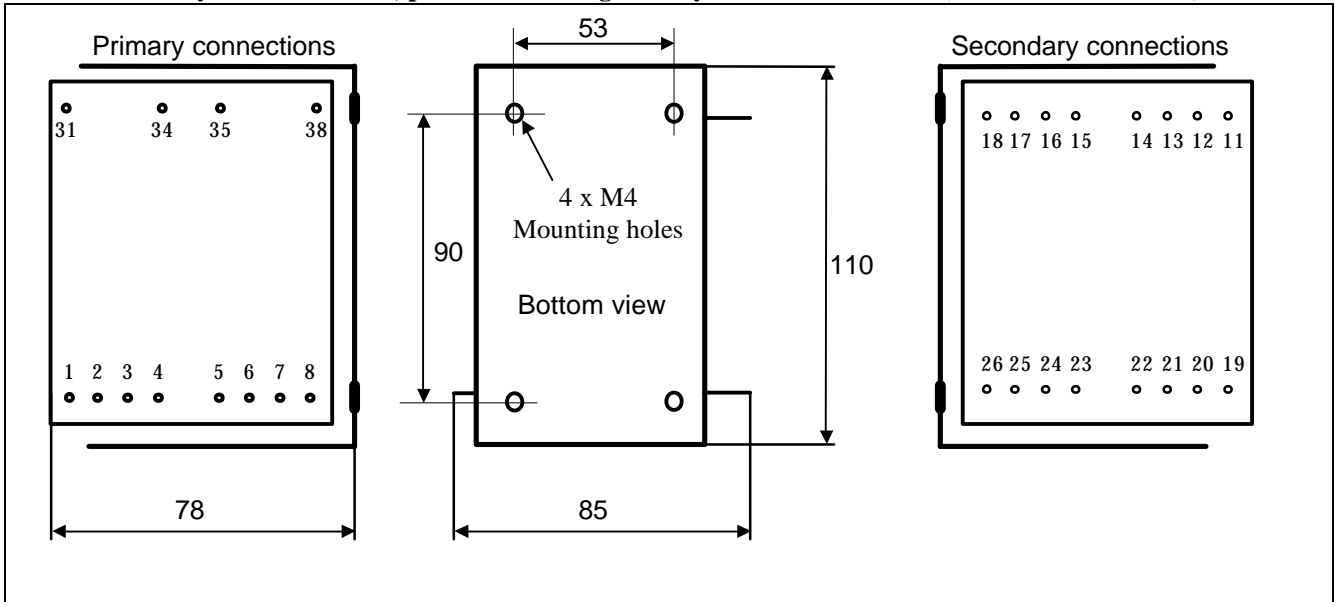


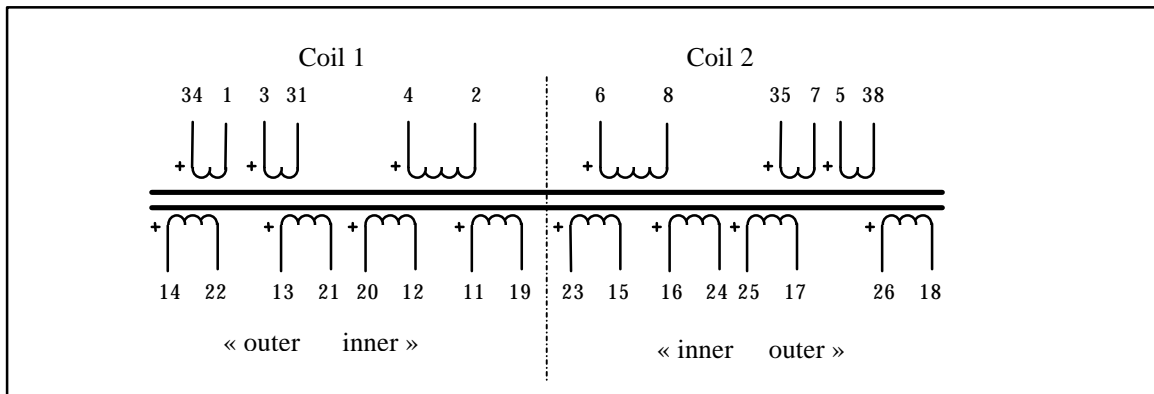
Tube Amplifier Output Transformer LL1620CFB (Cathode FeedBack)

The LL1620CFB is a version of the LL1620 where one primary winding on each coil has been split in half to support Push-Pull Cathode Feedback applications with 25% feedback. For all data not presented in this sheet, please refer to the regular LL1620 data sheet.

Physical dimensions, pin and mounting hole layout for LL1620CFB (all dimensions in mm)



Winding schematics:



LL1620CFB

Primary connection for push-pull output stage with 25% cathode feedback

R040917

